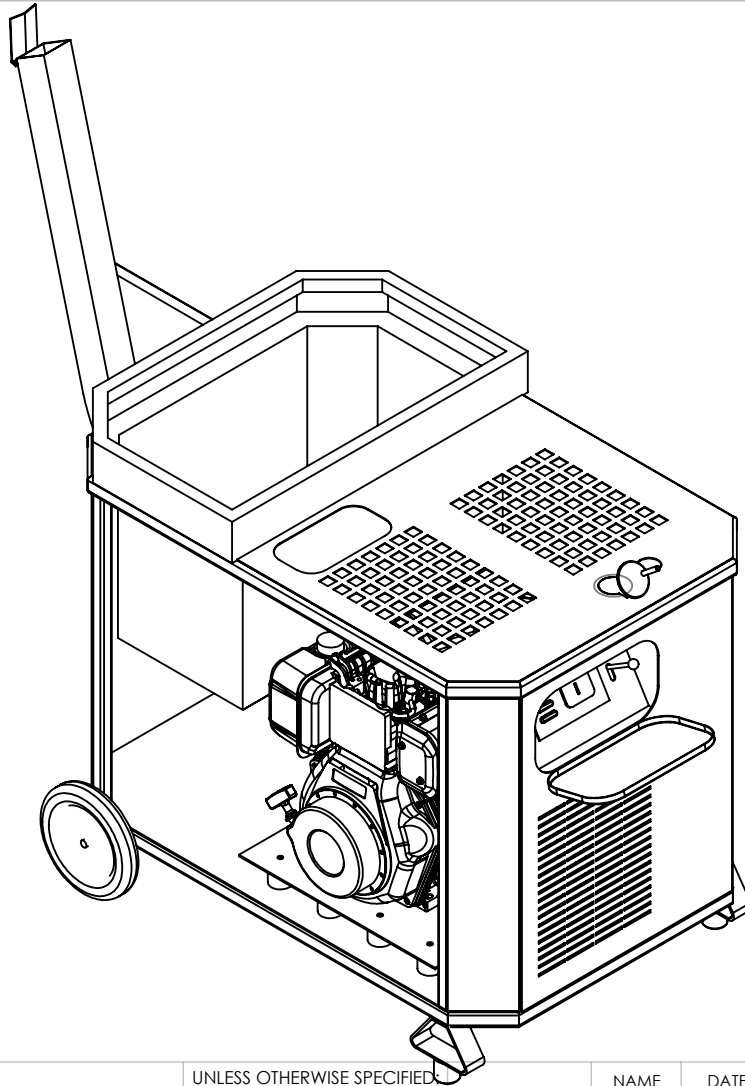


2

1

B

B



A

A

PROPRIETARY AND CONFIDENTIAL
 THE INFORMATION CONTAINED IN THIS DRAWING IS THE SOLE PROPERTY OF AES LLC. ANY REPRODUCTION IN PART OR AS A WHOLE WITHOUT THE WRITTEN PERMISSION OF AES LLC IS PROHIBITED.

		UNLESS OTHERWISE SPECIFIED:	NAME	DATE	TITLE: FISH FOOD FEEDER MACHINE ASM			
		DIMENSIONS ARE IN INCHES	DRAWN	NITHIN			28/2/2018	
		TOLERANCES: FRACTIONAL ±	CHECKED					
		ANGULAR: MACH ± BEND ±	ENG APPR.					
		TWO PLACE DECIMAL ±	MFG APPR.					
		THREE PLACE DECIMAL ±	Q.A.			SIZE	DWG. NO.	REV
		INTERPRET GEOMETRIC TOLERANCING PER:	COMMENTS:			A		
		MATERIAL				SCALE: 1:20	WEIGHT:	SHEET 1 OF 4
		FINISH						
	NEXT ASSY	USED ON						
	APPLICATION		DO NOT SCALE DRAWING					

2

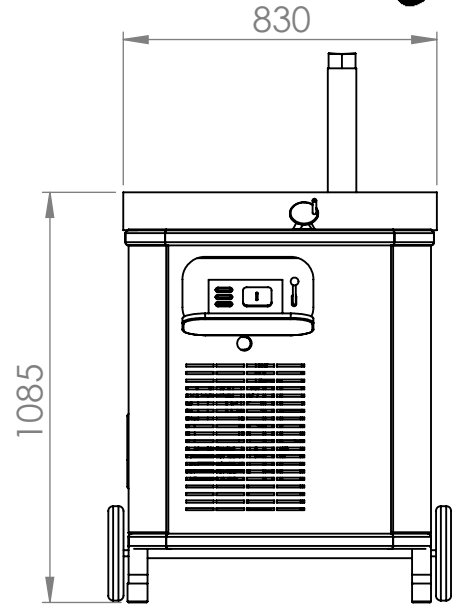
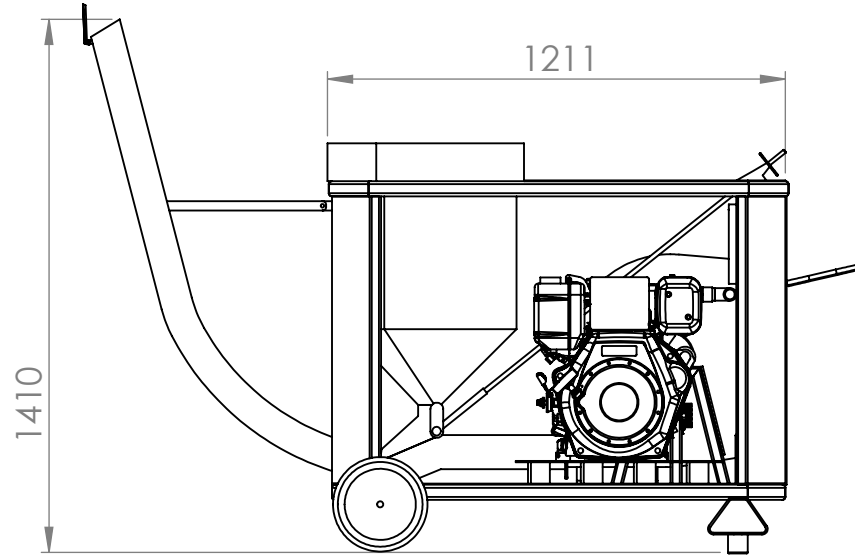
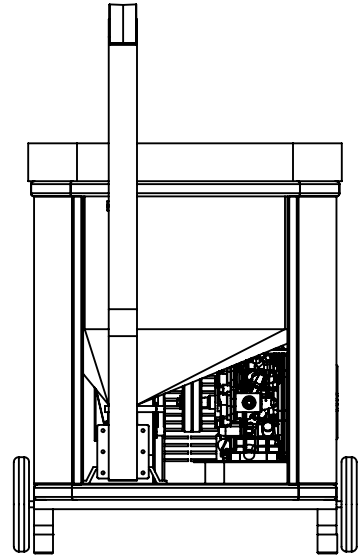
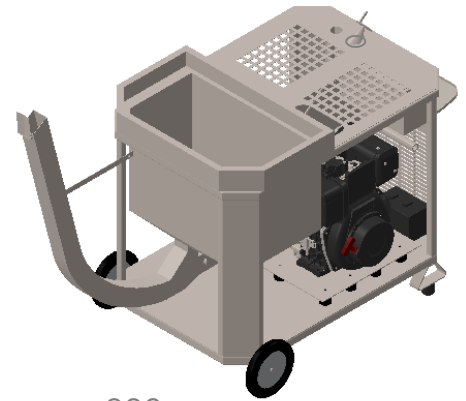
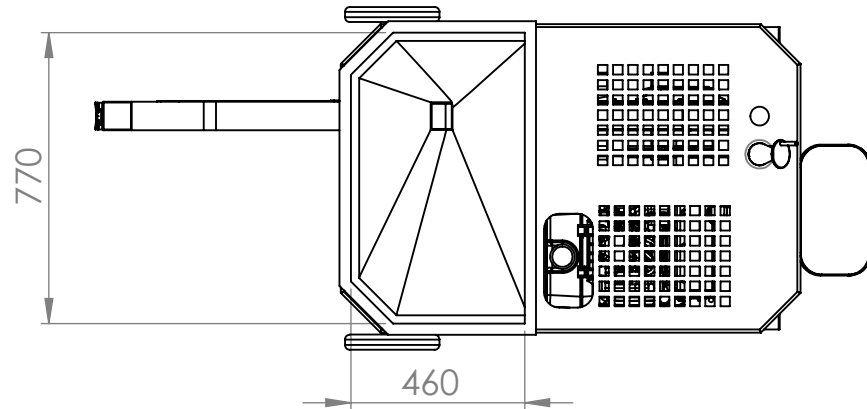
1

2

1

B

B



A

A

PROPRIETARY AND CONFIDENTIAL
 THE INFORMATION CONTAINED IN THIS DRAWING IS THE SOLE PROPERTY OF AES LLC. ANY REPRODUCTION IN PART OR AS A WHOLE WITHOUT THE WRITTEN PERMISSION OF AES LLC IS PROHIBITED.

		UNLESS OTHERWISE SPECIFIED:	NAME	DATE
		DIMENSIONS ARE IN INCHES	DRAWN	NITHIN
		TOLERANCES:	CHECKED	28/2/2018
		FRACTIONAL ±	ENG APPR.	
		ANGULAR: MACH ± BEND ±	MFG APPR.	
		TWO PLACE DECIMAL ±	Q.A.	
		THREE PLACE DECIMAL ±	COMMENTS:	
		INTERPRET GEOMETRIC TOLERANCING PER:		
		MATERIAL		
		FINISH		
NEXT ASSY	USED ON			
	APPLICATION	DO NOT SCALE DRAWING		

TITLE:
FISH FOOD FEEDER MACHINE ASM

SIZE	DWG. NO.	REV
A		
SCALE: 1:20	WEIGHT:	SHEET 2 OF 4

2

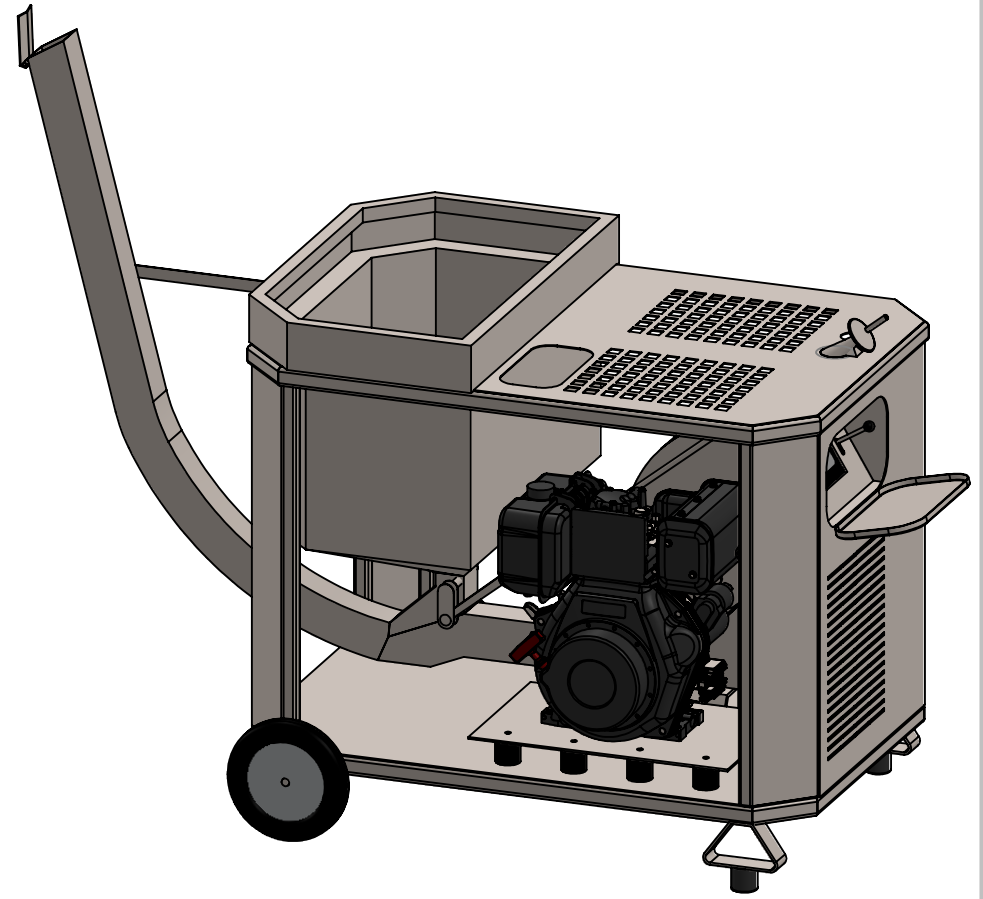
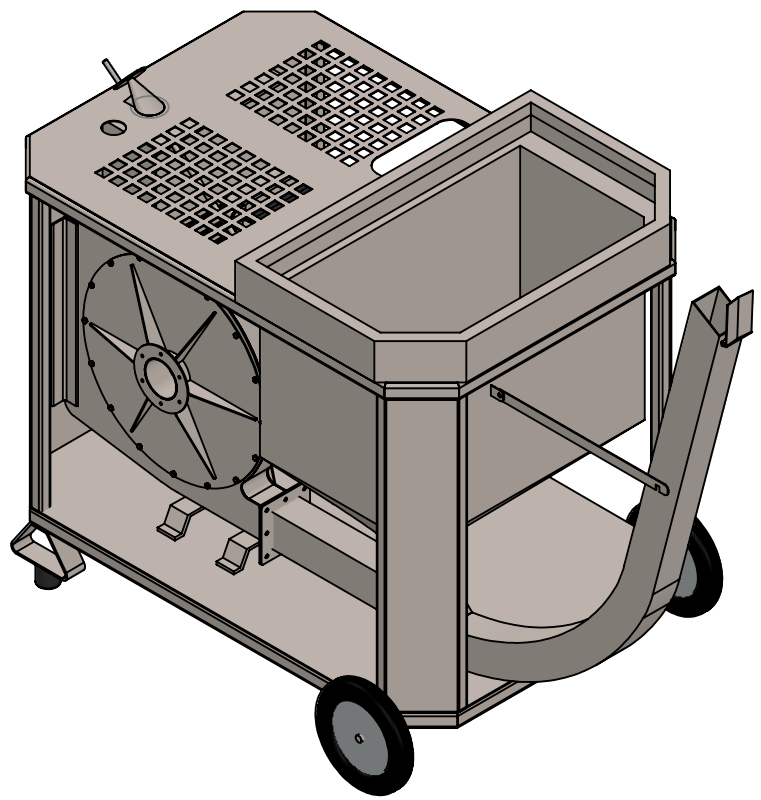
1

2

1

B

B



A

A

PROPRIETARY AND CONFIDENTIAL
 THE INFORMATION CONTAINED IN THIS DRAWING IS THE SOLE PROPERTY OF AES LLC. ANY REPRODUCTION IN PART OR AS A WHOLE WITHOUT THE WRITTEN PERMISSION OF AES LLC IS PROHIBITED.

		UNLESS OTHERWISE SPECIFIED:		NAME	DATE	TITLE: FISH FOOD FEEDER MACHINE ASM
		DIMENSIONS ARE IN INCHES	DRAWN	NITHIN	28/2/2018	
		TOLERANCES: FRACTIONAL ±	CHECKED			
		ANGULAR: MACH ± BEND ±	ENG APPR.			
		TWO PLACE DECIMAL ±	MFG APPR.			
		THREE PLACE DECIMAL ±	Q.A.			SIZE DWG. NO. REV
		INTERPRET GEOMETRIC TOLERANCING PER:	COMMENTS:			SCALE: 1:20 WEIGHT: SHEET 3 OF 4
		MATERIAL				
		FINISH				
	NEXT ASSY	USED ON				
	APPLICATION		DO NOT SCALE DRAWING			

2

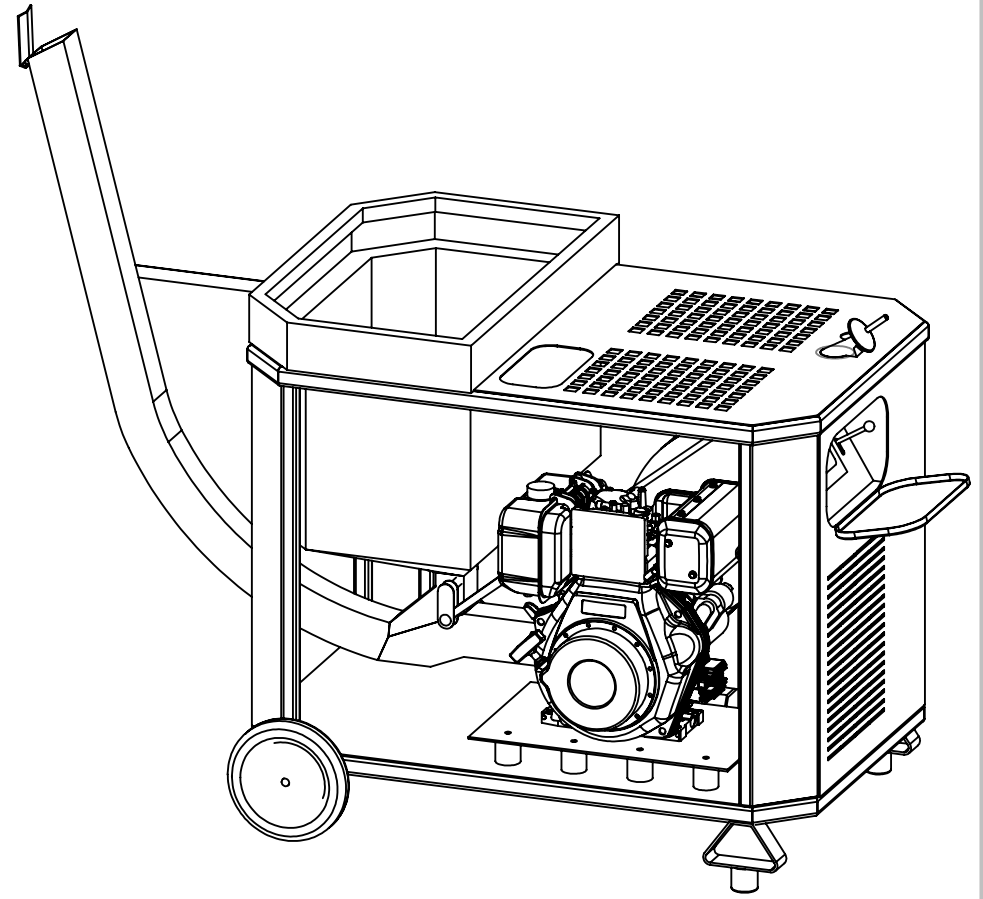
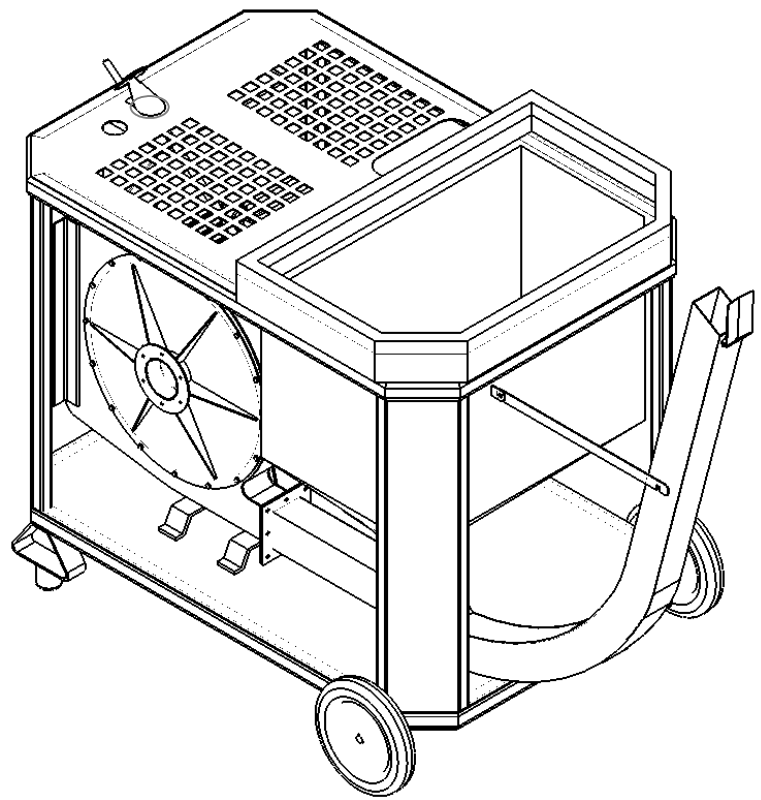
1

2

1

B

B



A

A

PROPRIETARY AND CONFIDENTIAL
 THE INFORMATION CONTAINED IN THIS DRAWING IS THE SOLE PROPERTY OF AES LLC. ANY REPRODUCTION IN PART OR AS A WHOLE WITHOUT THE WRITTEN PERMISSION OF AES LLC IS PROHIBITED.

		UNLESS OTHERWISE SPECIFIED:		NAME	DATE
		DIMENSIONS ARE IN INCHES	DRAWN	NITHIN	28/2/2018
		TOLERANCES:	CHECKED		
		FRACTIONAL ±	ENG APPR.		
		ANGULAR: MACH ± BEND ±	MFG APPR.		
		TWO PLACE DECIMAL ±	Q.A.		
		THREE PLACE DECIMAL ±	COMMENTS:		
		INTERPRET GEOMETRIC TOLERANCING PER:			
		MATERIAL			
		FINISH			
NEXT ASSY	USED ON				
APPLICATION		DO NOT SCALE DRAWING			

TITLE:
FISH FOOD FEEDER MACHINE ASM

SIZE	DWG. NO.	REV
A		
SCALE: 1:20	WEIGHT:	SHEET 4 OF 4

2

1